

DoersWindow
MANUFACTURING
4901 Oak Fair Blvd., Tampa, FL 33610

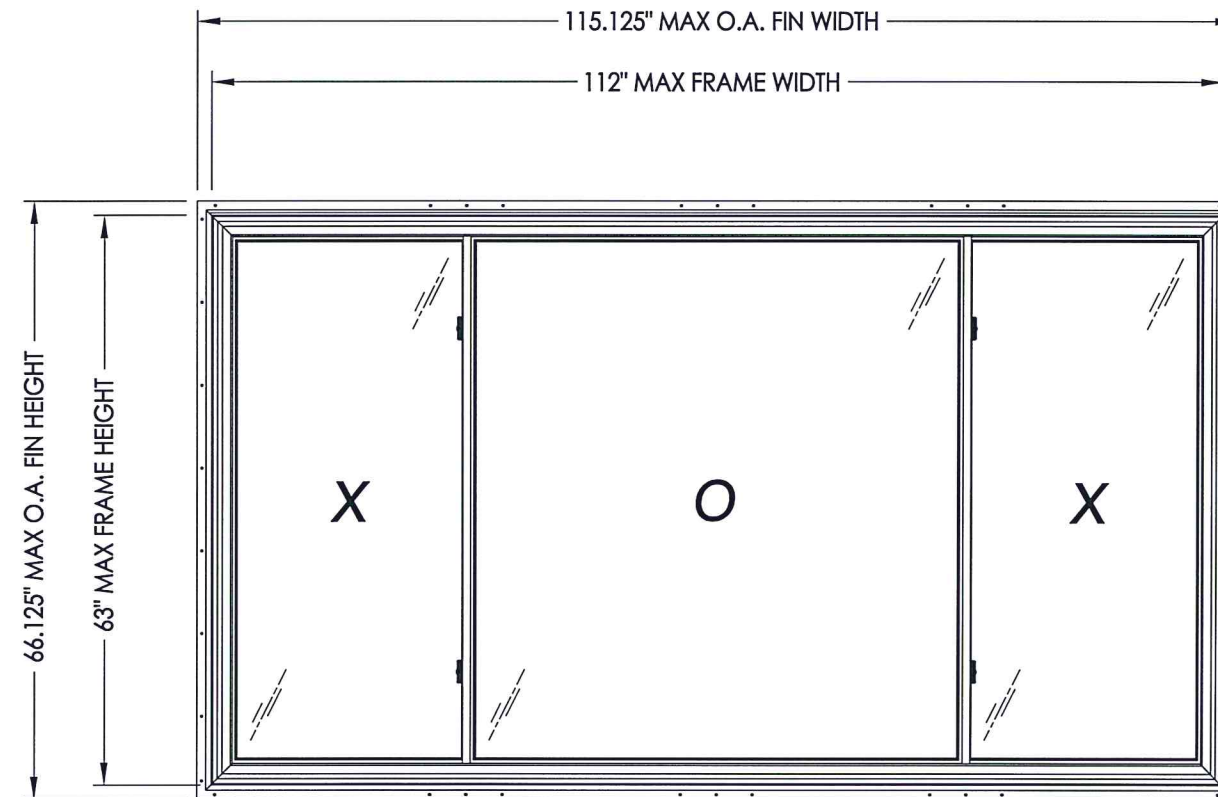
DuraGard - 3 Slider XOX w/ Nailing Fin "NON-IMPACT"

GENERAL NOTES

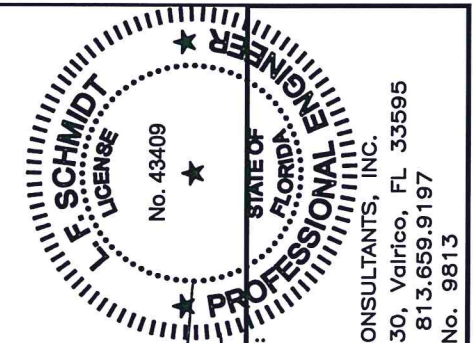
1. This product anchoring drawing has been evaluated and is in compliance with the 5th Edition (2014) Florida Building Code (FBC) excluding the "High Velocity Hurricane Zone" (HVHZ). See the Certification Agency Certificate for sizes, specifications & ratings.
2. Product anchors shall be as listed and spaced as shown on details. Anchor embedment to base material shall be beyond wall dressing or stucco.
3. When used in areas requiring wind borne debris protection this product is required to be protected with an impact resistant covering that complies with Section 1609.1.2 of the FBC.
4. Site conditions that deviate from the details of this drawing require further engineering analysis by a licensed engineer or registered architect.

TABLE OF CONTENTS

SHEET#	DESCRIPTION
1	Typical elevations, design pressures & general notes
2	Horizontal and vertical cross sections
3	Buck and frame anchoring
4	Bill of materials, glazing details and components



MAX O.A. FIN DIMENSION	FRAME DIMENSION	MAX. DAY LIGHT OPENING DIMENSION (FIXED)	MAX. DAY LIGHT OPENING DIMENSION (OPERABLE)	GLASS TYPE	DESIGN PRESSURE (PSF)	
					POS.	NEG.
115.125" x 66.125"	112.0" x 63.0"	53.25" x 56.5"	25.25" x 56.5"	G1	+15.0	-15.0



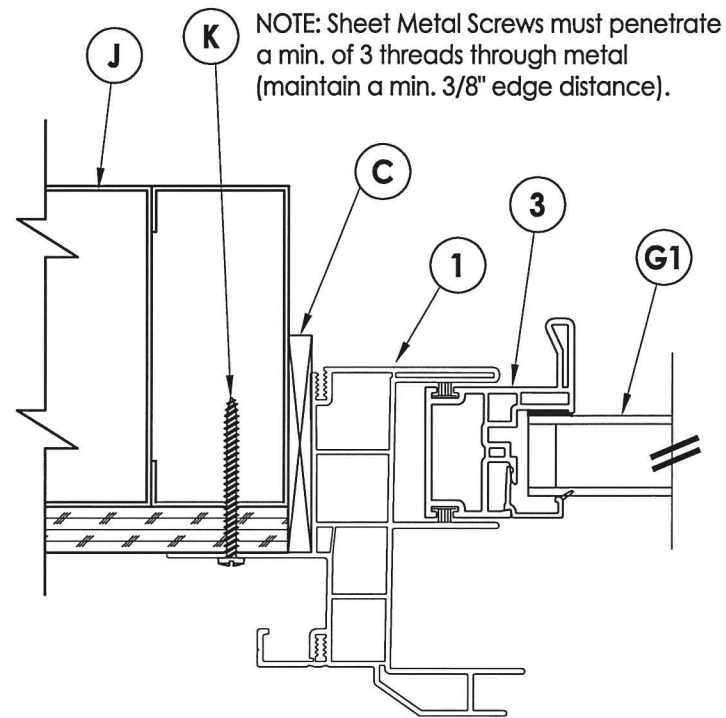
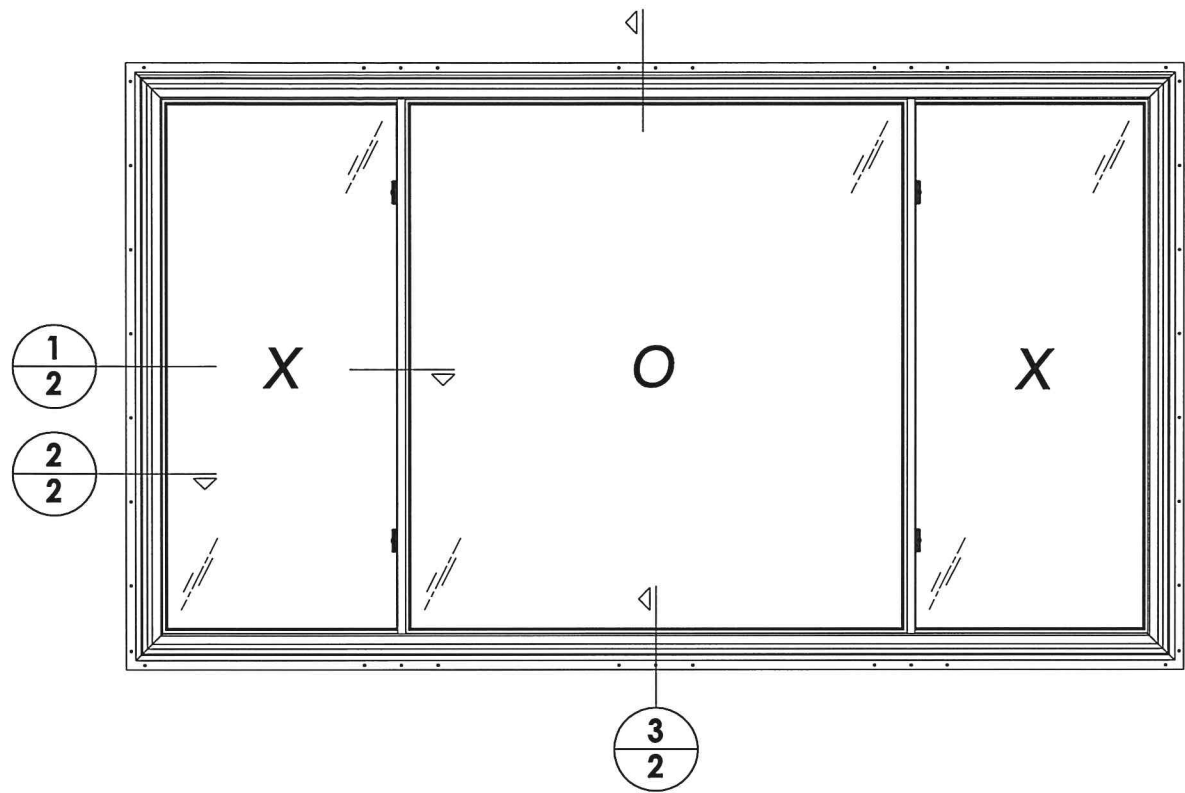
Documents Prepared By:
Lyndon F. Schmidt
P.E. No. 43409

RW BUILDING CONSULTANTS, INC.
P.O. Box 230, Valrico, FL 33595
Phone No.: 813.659.9197
FBPE C.A. No. 9813

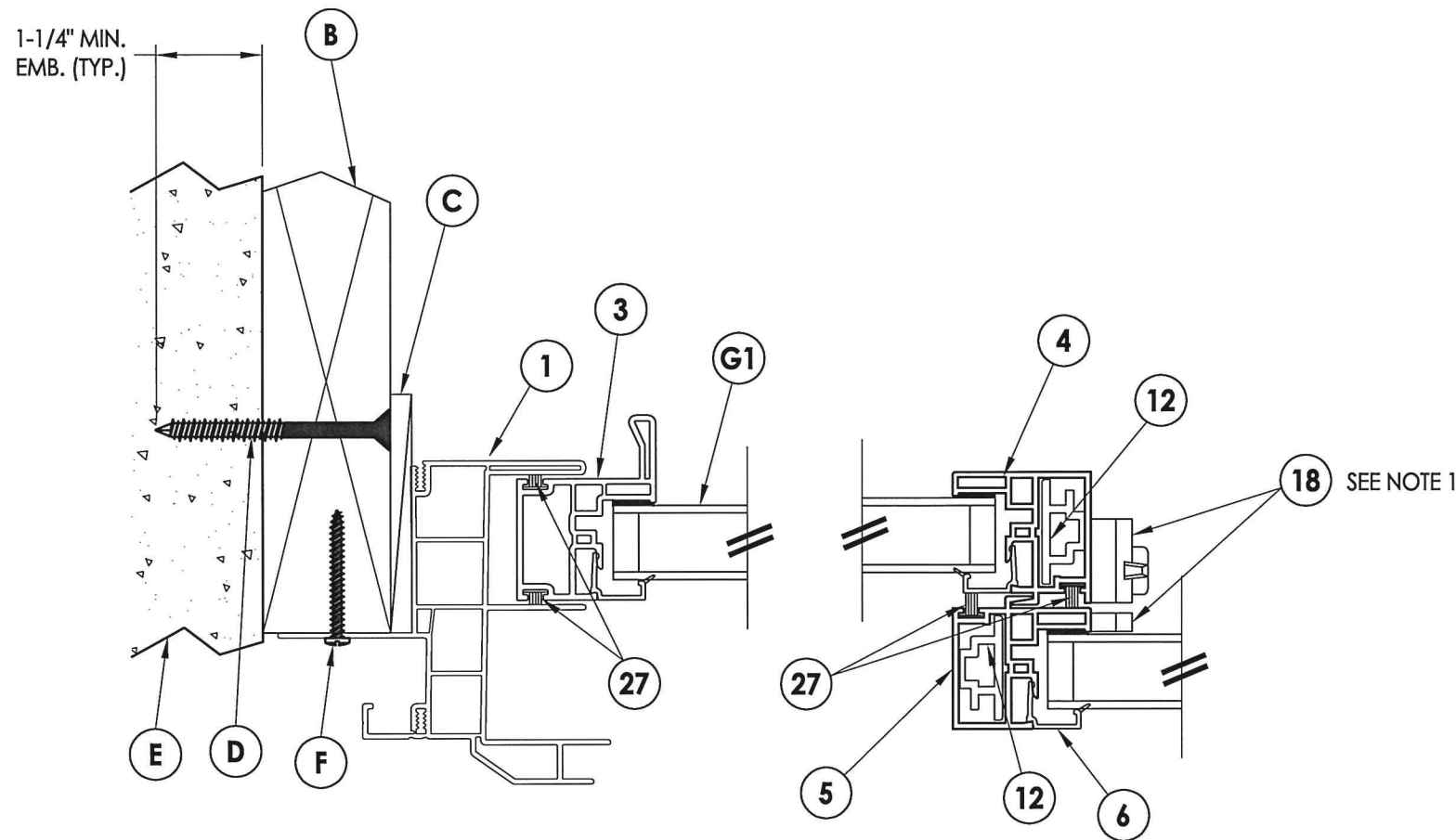
PRODUCT: HORIZONTAL SLIDER
PART OR ASSEMBLY: TYPICAL ELEVATION, DESIGN PRESSURES & GENERAL NOTES

NO.	DATE	REVISIONS
1	6/25/15	UPDATE TO 5TH ED. (2014) FBC

DATE: 4/17/12
SCALE: N.T.S.
DWG. BY: JK
CHK. BY: LFS
DRAWING NO.: FL-16853.15
SHEET 1 OF 4

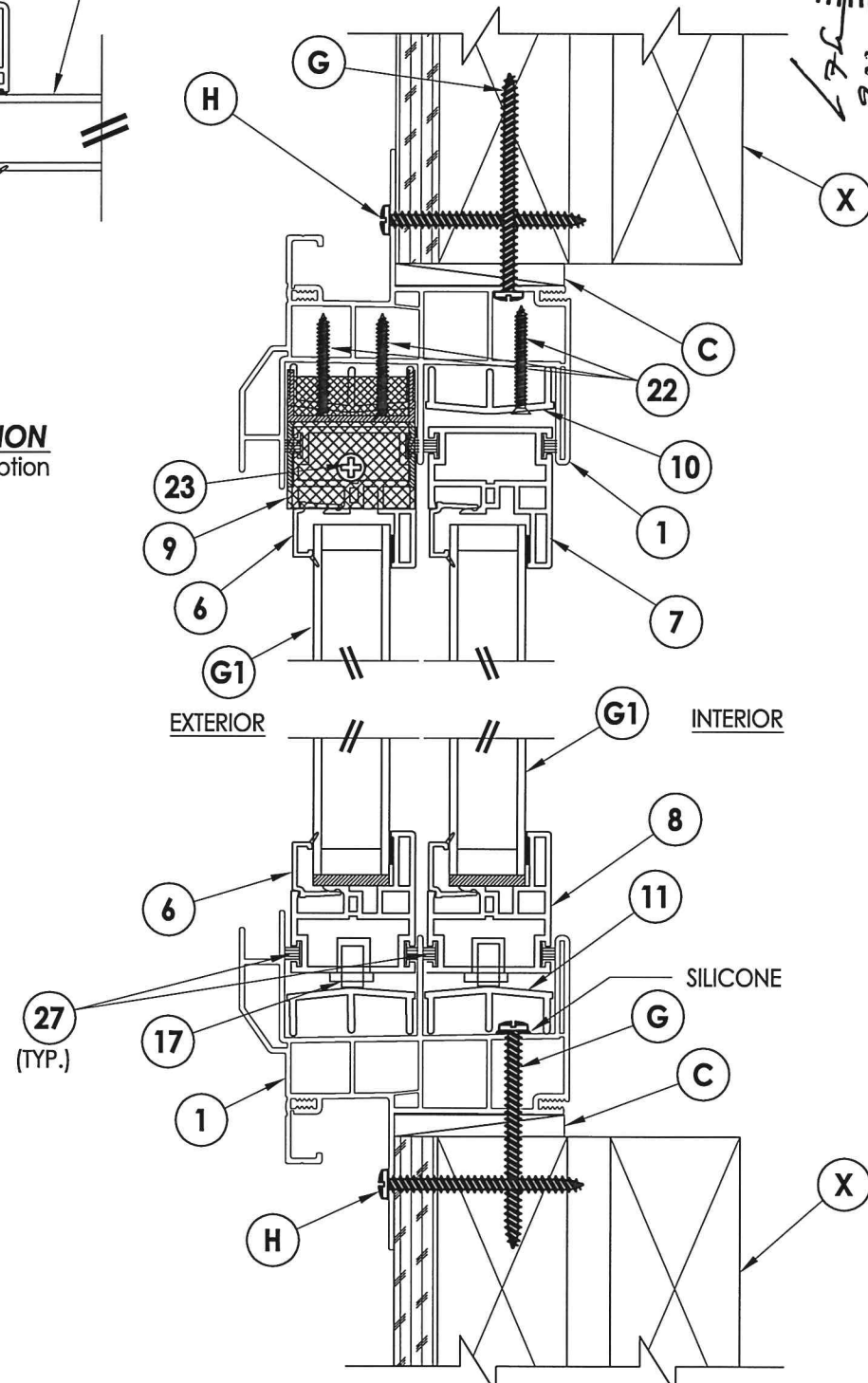


2 HORIZONTAL CROSS SECTION
2 Shown w/ Steel Stud Framing Option

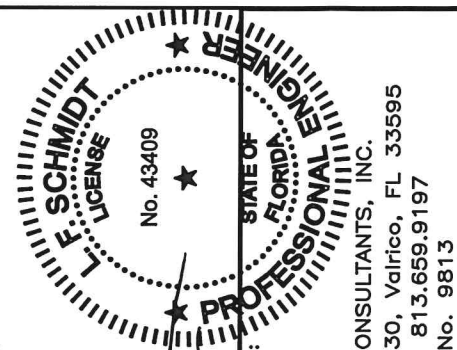


1 HORIZONTAL CROSS SECTION
2 2X Buck Masonry Construction

Note:
1. Lock and keeper located 12" from each end of lock/meeting stile.



3 VERTICAL CROSS SECTION
2 2x Stud Construction



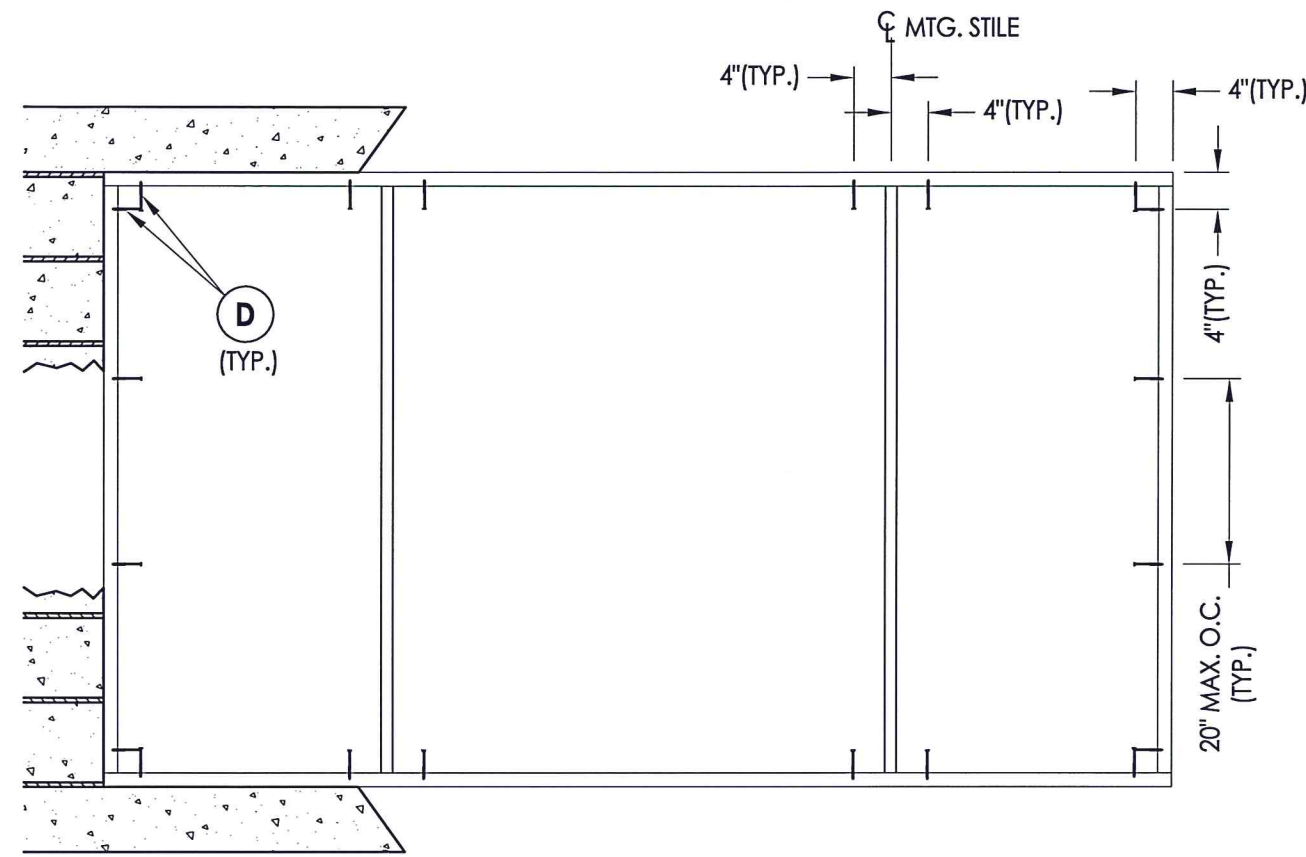
Documents Prepared By:
Lyndon F. Schmidt
P.E. No. 43409
RW BUILDING CONSULTANTS, INC.
P.O. Box 230, Vairico, FL 33595
Phone No.: 813.659.9197
FBPE C.A. No. 9813

PRODUCT:	HORIZONTAL SLIDER
PART OR ASSEMBLY:	HORIZONTAL AND VERTICAL CROSS SECTIONS

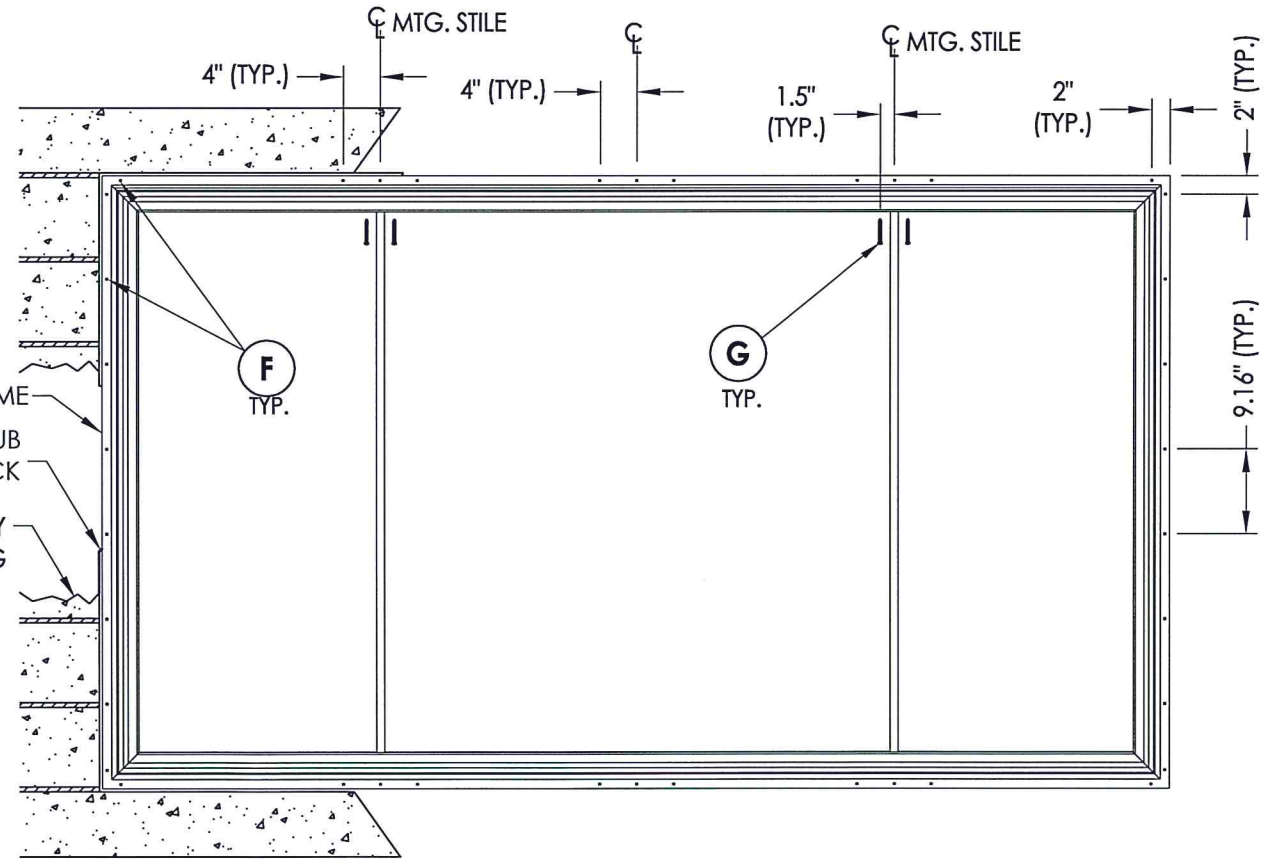
NO.	DATE	DESCRIPTION	BY
1	6/25/15	UPDATE TO 5TH ED. (2014) FBC	LFS

DATE:	4/17/12
SCALE:	N.T.S.
DWG. BY:	JK
CHK. BY:	LFS
DRAWING NO.:	FL-16853.15
SHEET	2 OF 4

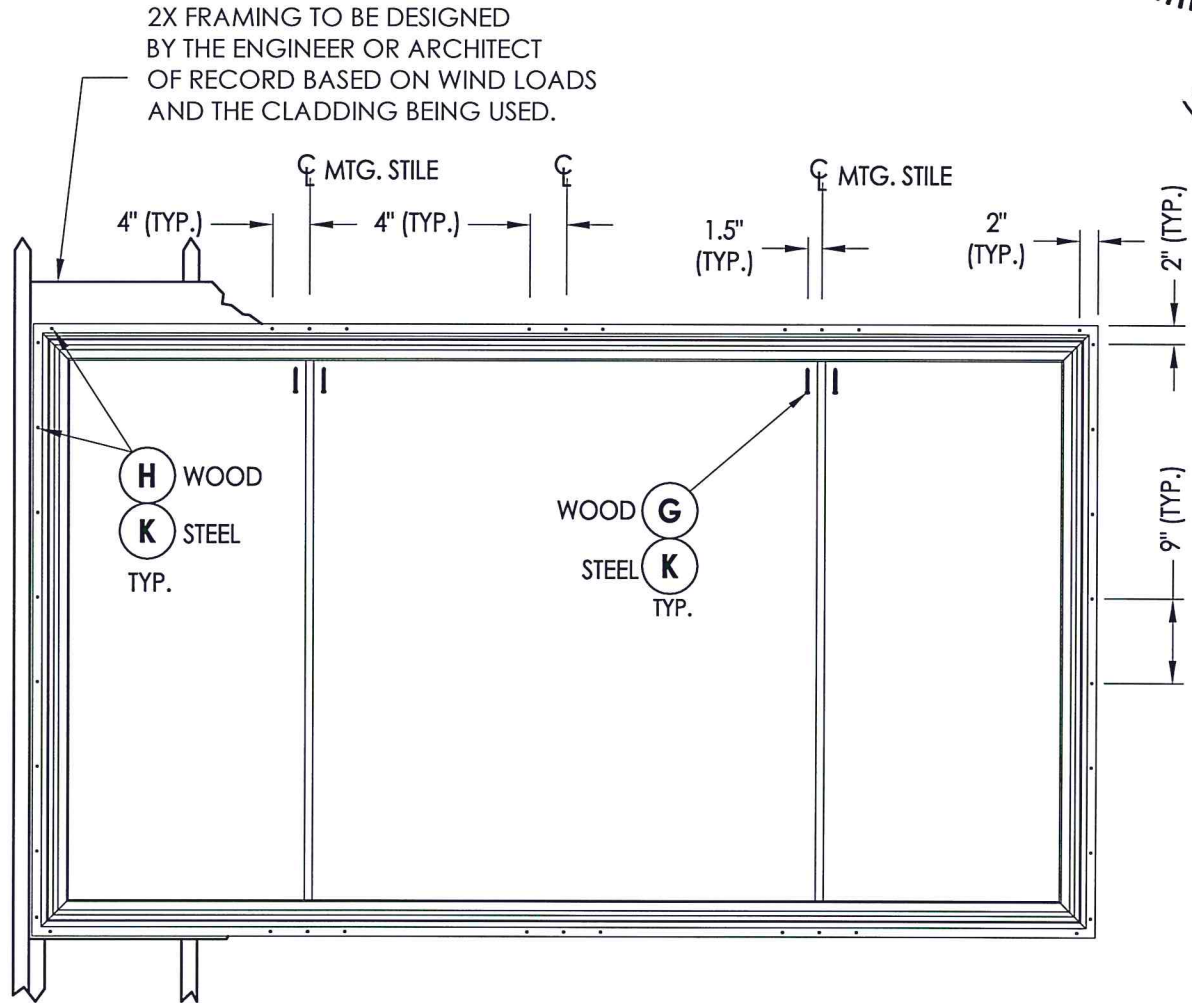
R:\Clients\Doers PERMANENT\Florida Product Approvals\FL-16853 Windows - Horizontal Sliders\C - Drawings\FL-16853.13-18.dwg, 3.15



2X BUCK ANCHORING



FRAME ANCHORING
2X Buck Masonry Construction

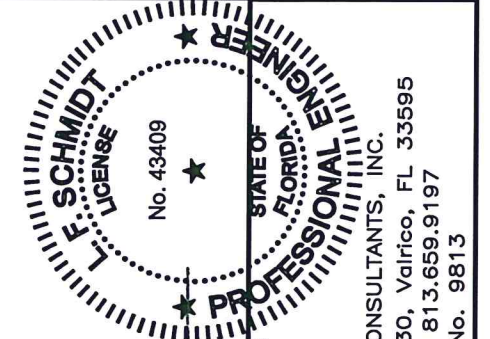


FRAME ANCHORING
Stud Construction

- CONCRETE ANCHOR NOTES:**
- Concrete anchor locations at the corners may be adjusted to maintain the min. edge distance to mortar joints.
 - Concrete anchor locations noted as "MAX. ON CENTER" must be adjusted to maintain the min. edge distance to mortar joints, additional concrete anchors may be required to ensure the "MAX. ON CENTER" dimension are not exceeded.
 - Concrete anchor table:

ANCHOR TYPE	ANCHOR SIZE	MIN. EMBEDMENT	MIN. CLEARANCE TO MASONRY EDGE	MIN. CLEARANCE TO ADJACENT ANCHOR
ITW TAPCON®	1/4"	1-1/4"	2"	4"
ELCO ULTRACON®	1/4"	1-1/4"	1"	4"

- WOOD SCREW INSTALLATION NOTES:**
- Maintain a minimum 5/8" edge distance, 1" end distance, & 1" o.c. spacing of wood screws to prevent the splitting of wood.



Documents Prepared By:
Lyndon F. Schmidt
P.E. No. 43409

LFS
7.1.15

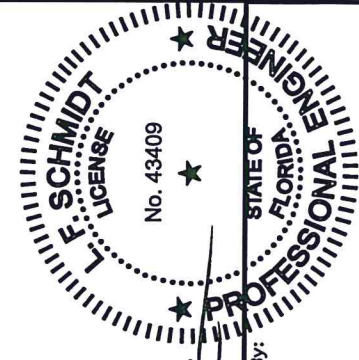
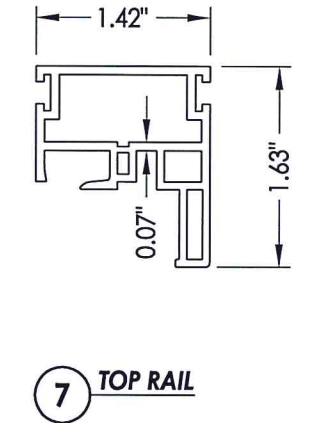
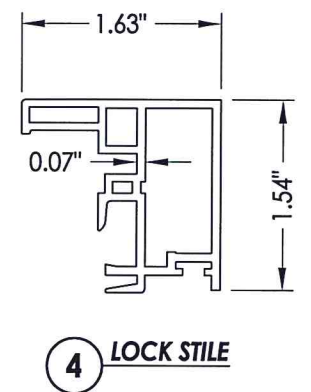
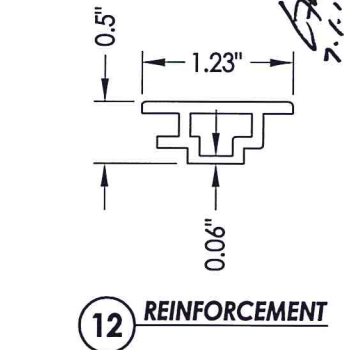
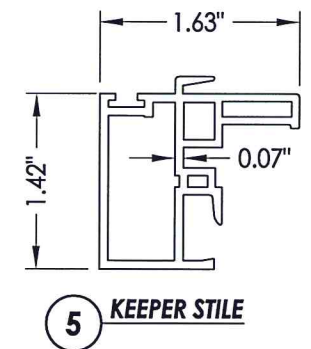
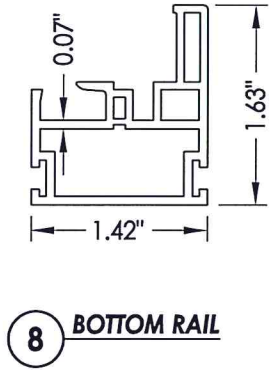
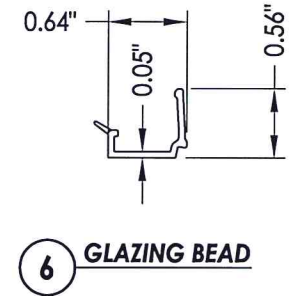
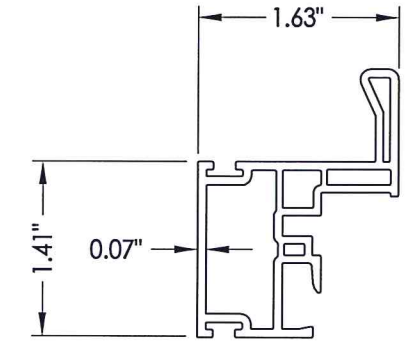
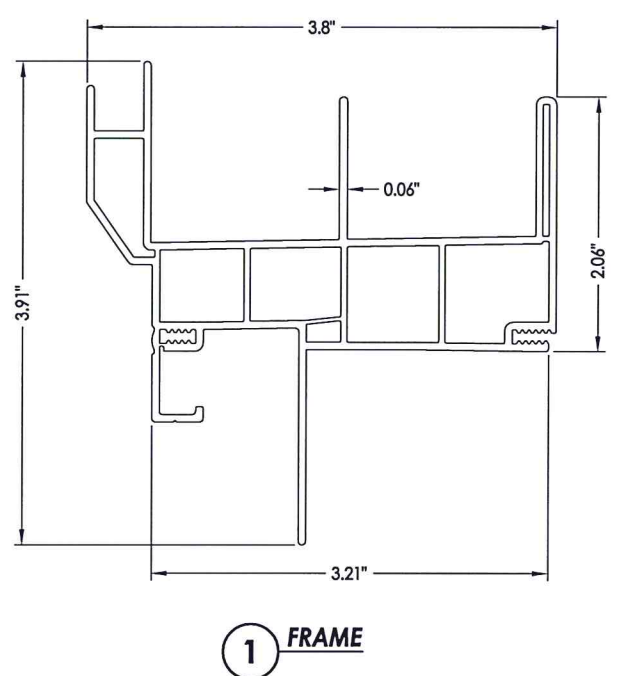
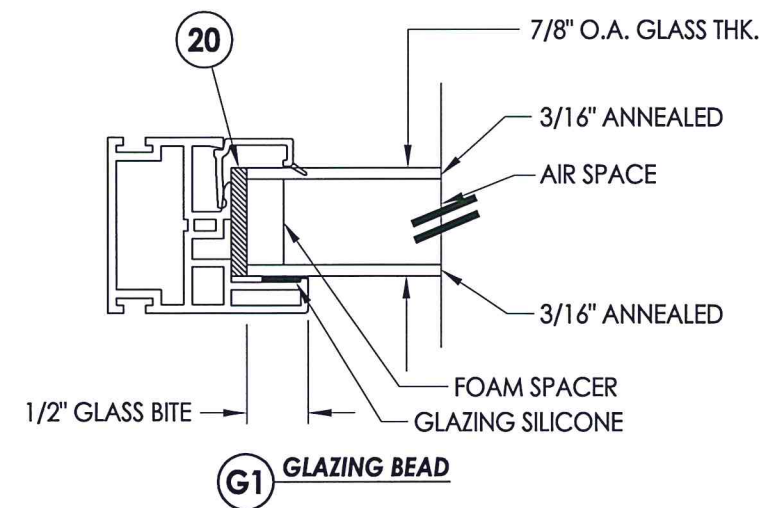
R.W.
BUILDING CONSULTANTS, INC.
P.O. Box 230, Valrico, FL 33595
Phone No.: 813.659.9197
FBPE C.A. No. 9813

PRODUCT:	HORIZONTAL SLIDER
PART OR ASSEMBLY:	BUCK AND FRAME ANCHORING
NO.	1
DATE	6/25/15
UPDATE TO	5TH ED. (2014) FBC
BY	LFS
REVISIONS	
DATE:	4/17/12
SCALE:	N.T.S.
DWG. BY:	JK
CHK. BY:	LFS
DRAWING NO.:	FL-16853.15
SHEET	3 OF 4

R:\Clients\Doers PERMANENT Florida Product Approvals\FL-16853 Windows - Horizontal Sliders\C - Drawings\FL-16853.13-18.dwg, 4.15

BILL OF MATERIALS		
ITEM #	DESCRIPTION	MATERIAL
B	2X BUCK (SG >= 0.42)	WOOD
C	1/4" MAX. SHIM SPACE	-
D	1/4" X 2-3/4" PFH ELCO OR ITW CONCRETE SCREW	STEEL
E	MASONRY - 3,000 PSI MIN. CONCRETE CONFORMING TO ACI 301 OR HOLLOW BLOCK CONFORMING TO ASTM C90	CONCRETE
F	#10 X 1-1/2" PPH SMS (1-3/8" MIN. EMBEDMENT)	STEEL
G	#10 X 2-1/2" PPH SMS (1-3/8" MIN. EMBEDMENT)	STEEL
H	1/4" X 3-1/4" PFH ITW CONCRETE SCREW	STEEL
J	STEEL STUD Min. Thk .033" (ASTM A653 GRADE 33 Fy=33 ksi min., Fu=45 ksi min.)	STEEL
K	#10 PPH SELF-DRILLING SMS	STEEL
X	2X STUD (SG >= 0.42)	WOOD
1	EXTRUDED VINYL FRAME *	RIGID PVC
3	EXTRUDED VINYL HANDLE STILE *	RIGID PVC
4	EXTRUDED VINYL LOCK STILE *	RIGID PVC
5	EXTRUDED VINYL KEEPER STILE *	RIGID PVC
6	EXTRUDED VINYL GLAZING BEAD *	RIGID PVC
7	EXTRUDED VINYL TOP RAIL *	RIGID PVC
8	EXTRUDED VINYL BOTTOM RAIL *	RIGID PVC
9	VENT STOP (ASHLAND)(#10821)	RIGID PVC
10	ANTI-LIFT TRACK*	RIGID PVC
11	SLIDER TRACK*	RIGID PVC
12	REINFORCEMENT (6065-T5 ALUM)	ALUM.
17	ROLLERS	-
18	LOCK ASSEMBLY (TRUTH)	STEEL
20	GLASS SETTING BLOCK	-
22	#8 X 1-1/4" FH SMS	STEEL
23	#8 X 1/2" PH SMS	STEEL
27	WEATHERSTRIP (0.250" SINGLE FIN PILE)	-

* THE APPROVED WHITE RIGID PVC EXTERIOR EXTRUSIONS FOR WINDOWS ARE TO BE PRODUCED BY EXTRUDERS LICENSEES IN "AAMA CERTIFICATION PROGRAMS FOR RIGID PVC EXTRUSIONS".



Documents Prepared By:
Lyndon F. Schmidt
P.E. No. 43409

R.W. BUILDING CONSULTANTS, INC.
P.O. Box 230, Valrico, FL 33595
Phone No.: 813.659.9197
FBPE C.A. No. 9813

PRODUCT:	HORIZONTAL SLIDER	
PART OR ASSEMBLY:	BILL OF MATERIALS, GLAZING DETAIL & COMPONENTS	
NO.	DATE	REVISIONS
1	6/25/15	UPDATE TO 5TH ED. (2014) FBC
LFS	BY	
DATE: 4/17/12		
SCALE: N.T.S.		
DWG. BY: JK		
CHK. BY: LFS		
DRAWING NO.: FL-16853.15		
SHEET 4 OF 4		

© 2014 R.W. BUILDING CONSULTANTS INC.